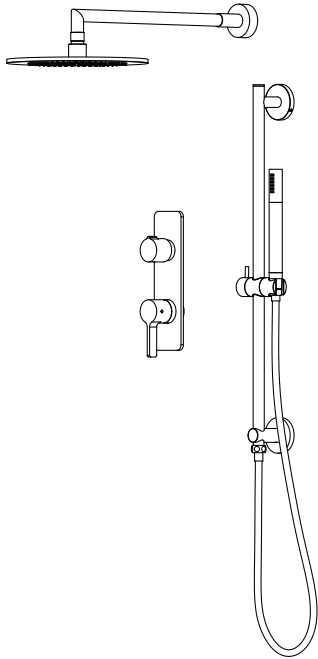


260.7350 | Two Output Shower W/ Rain Head & Hand Held



COMPONENTS

- HS1040 - 16" Shower Arm
- HSB.10R - 10" Shower Head
- 260.4000VT - Shower Trim
- TVH.2717F - 3/4" Shower Valve
- HS1004H - Hand Held
- SP.150EM - 1.5m Hose
- 100.601023A - Slide Bar

SHOWER VALVE:

- Thermostatic shower valve
- Valve includes service stops
- Turn bottom handle to set temp.
- Top handle controls water diversion
- Includes 15109 non-shared cartridge

SHOWER HEAD:

- Solid brass construction
- 1.8 GPM flow rate

STANDARDS:

- ASME A112.18.1 / CSA B125.1

See individual component specification sheets on following pages for further details.

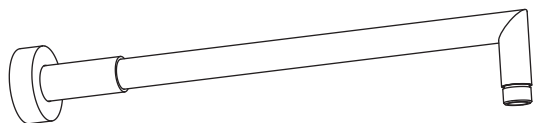
HS1040 | Round Shower Arm - 400mm - 16"

SPECIFICATIONS:

- ☑ Solid Brass Shower Head
- ☑ With Sliding Flange
- ☑ Use with HSB.7R Shower head

FINISHES :

- ☑ Chrome - HS1040CP / Brushed Nickel - HS1040BN



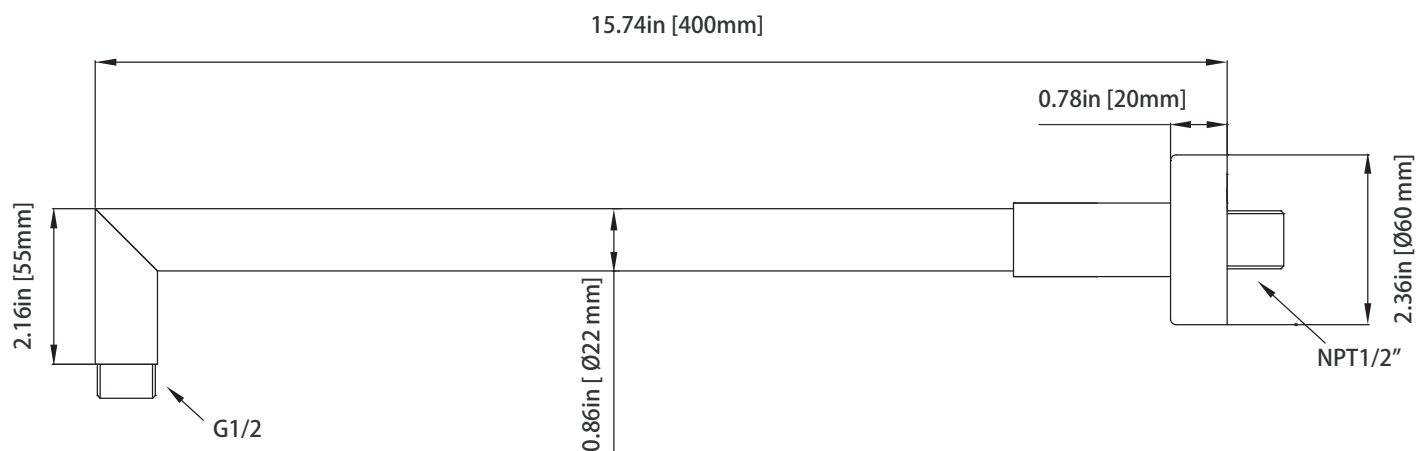
Legislation Compliance



ZeroDrip Technology



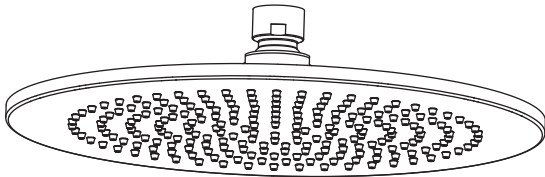
Technical Diagram



HSB.10R | 10" Brass Shower Head

SPECIFICATIONS:

- ☒ Solid Brass Shower Head
- ☒ Scrub rubber nozzles to easily clean water sediment
- ☒ 1.8 GPM Flow Rate
- ☒ 212 Nozzles



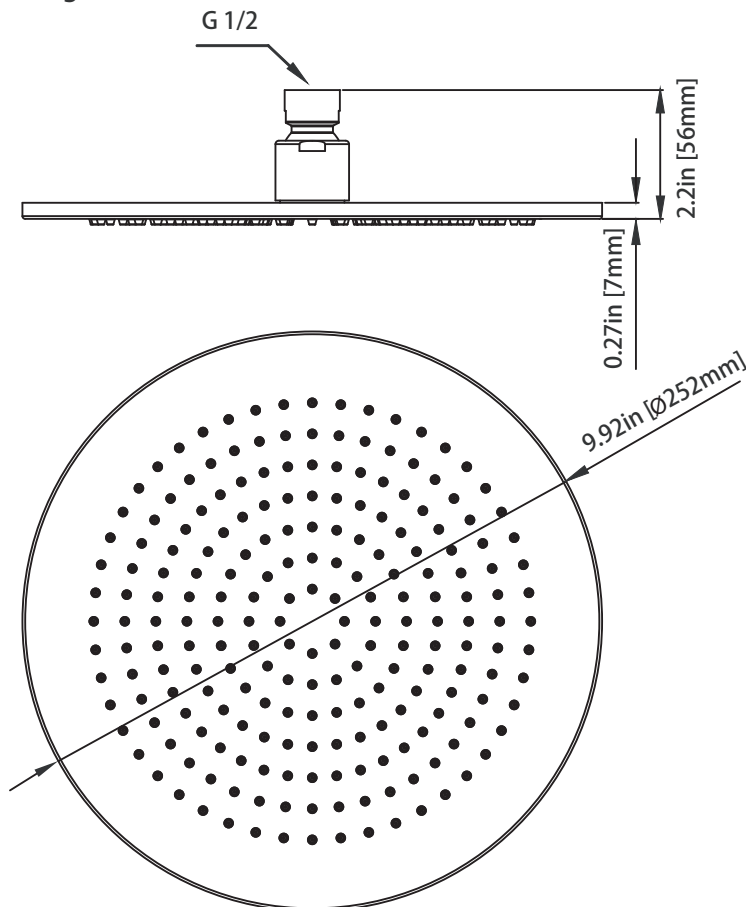
Legislation Compliance



ZeroDrip Technology

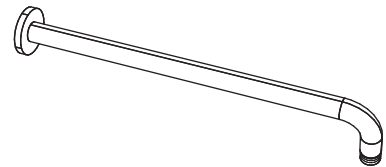


Technical Diagram



MATCHING SHOWER ARMS:

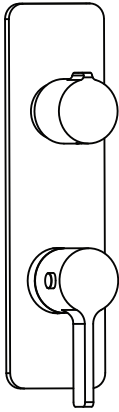
- 1) HS1012SA (16" Wall Mount Shower Arm)



- 2) 100.6CSA (6" Ceiling Mount Shower Arm)



260.4000VT | Thermostatic Shower Trim



SPECIFICATIONS:

- Solid Brass construction
- Valve not included - Trim only
- Bottom knob controls temperature
- Top knob controls volume
- Use in tub filler or shower applications

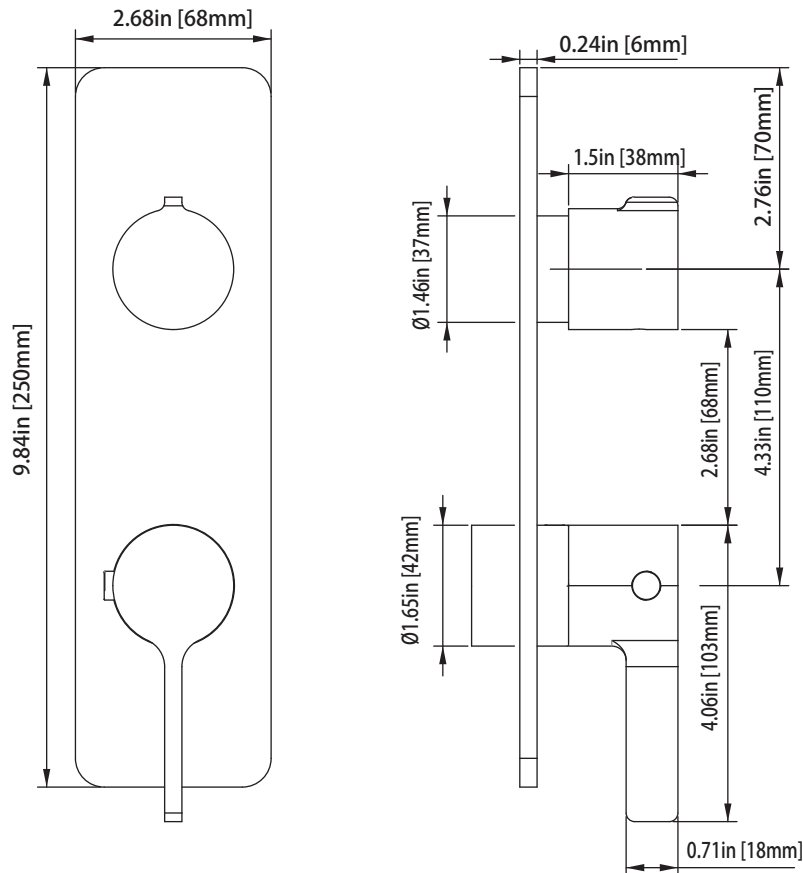
Legislation Compliance



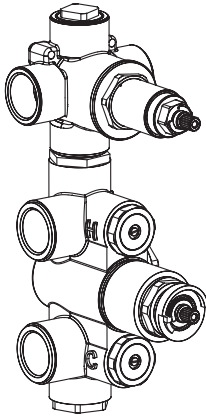
ZeroDrip Technology



Technical Diagram



TVH.2717F | 3/4" Thermostatic Valve With 2-Way Diverter & Integrated Volume Control Page 1 of 2



SPECIFICATIONS:

- Turn bottom knob to control temperature.
- Turn top knob to control water flow.
- Thermostatic Valve Flow Rate - 8.0 GPM @ 60 PSI
- Extension Available - TVH.4101E**

STANDARDS:

- ASME A112.18.1 / CSA B125.1

! A separate volume control is **not** needed to turn water supply off. Volume control functionality is integrated within this valve.

CALGreen Compliant



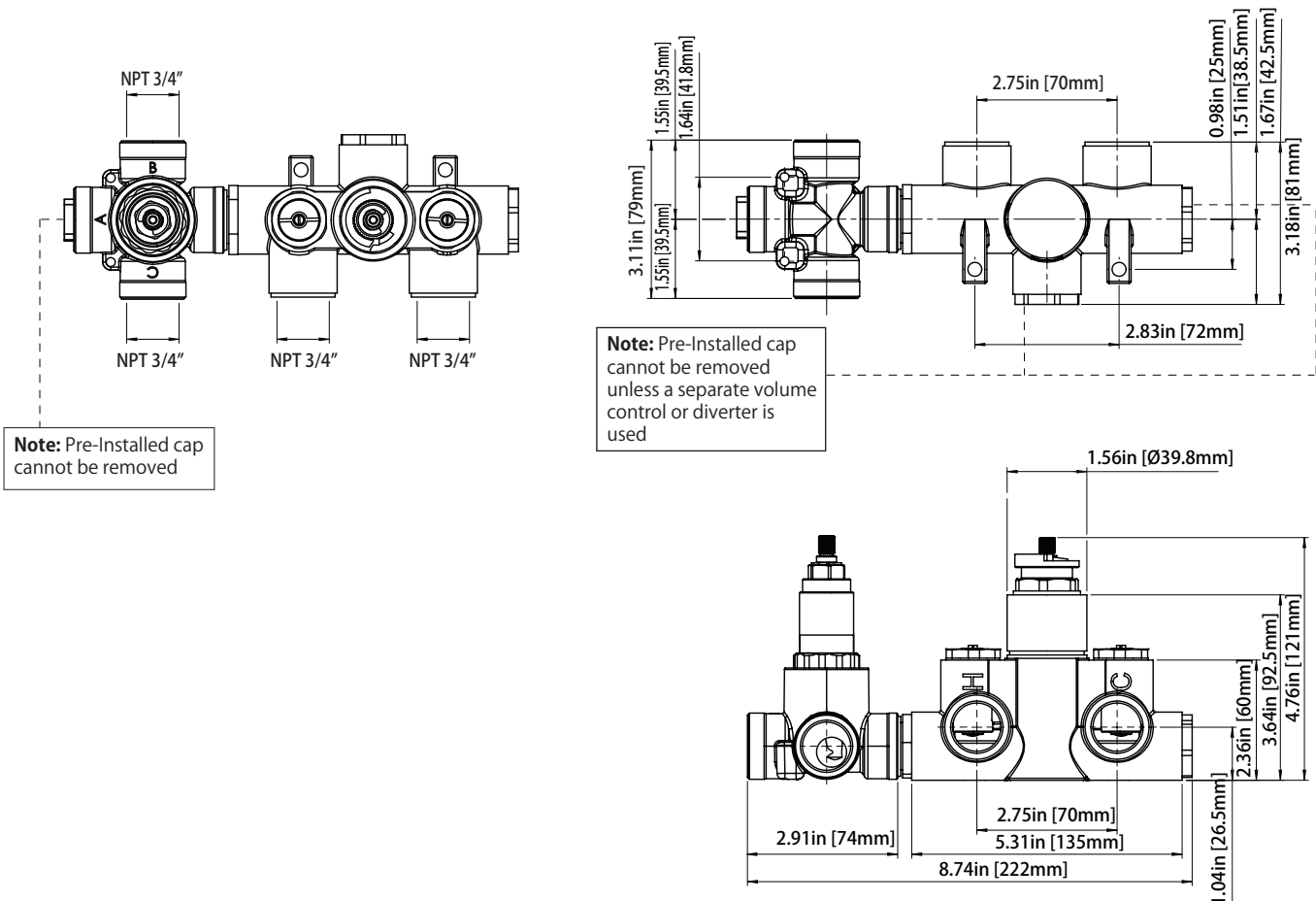
Legislation Compliance



ZeroDrip Technology



Technical Diagram



HS1004H | Solid Brass Hand Shower

SPECIFICATIONS:

- Solid Brass Construction
- 1.8 GPM Flow Rate
- With back flow prevention check valve



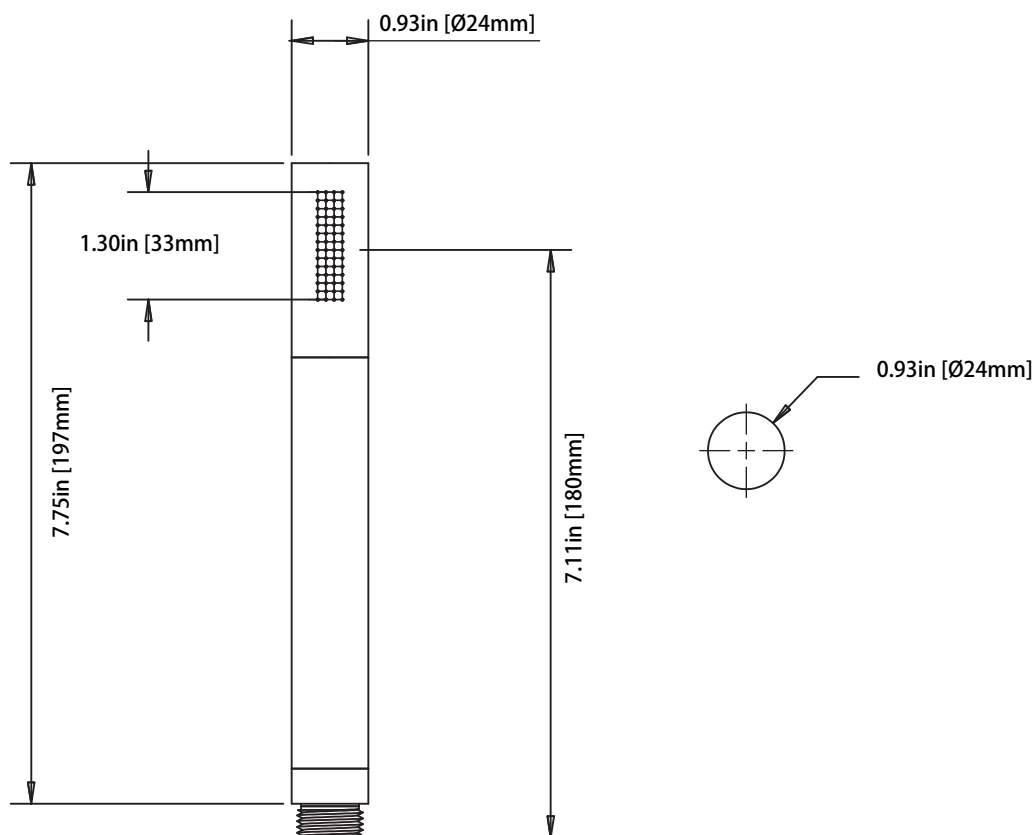
Legislation Compliance



ZeroDrip Technology



Technical Diagram



SP.150EM | Easy Maneuver Hose



SPECIFICATIONS:

- Stainless steel construction
- G-1/2" connection
- 1.5m length

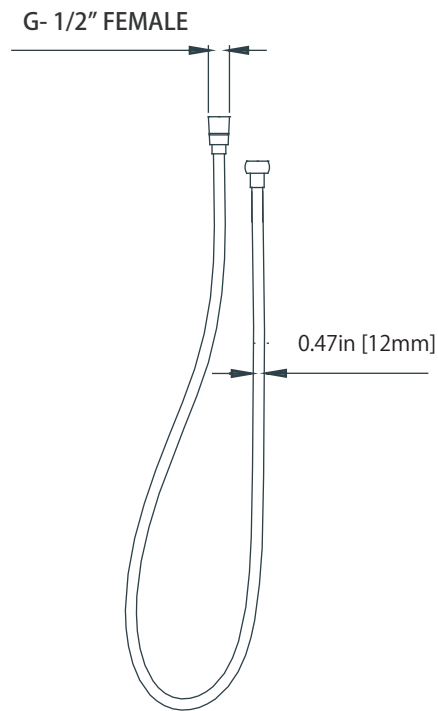
Legislation Compliance



ZeroDrip Technology



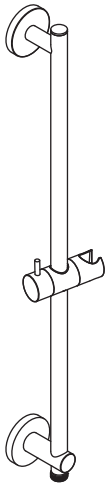
Technical Diagram



100.601023A | Slide Bar With Integrated Wall Elbow

SPECIFICATIONS:

- Solid Brass Construction
- Easy front of wall installation
- Integrated wall elbow
- 1/2" female connection with adjustable slide on installation
- Includes check valve with back-flow prevention



Legislation Compliance



ZeroDrip Technology



Technical Diagram

